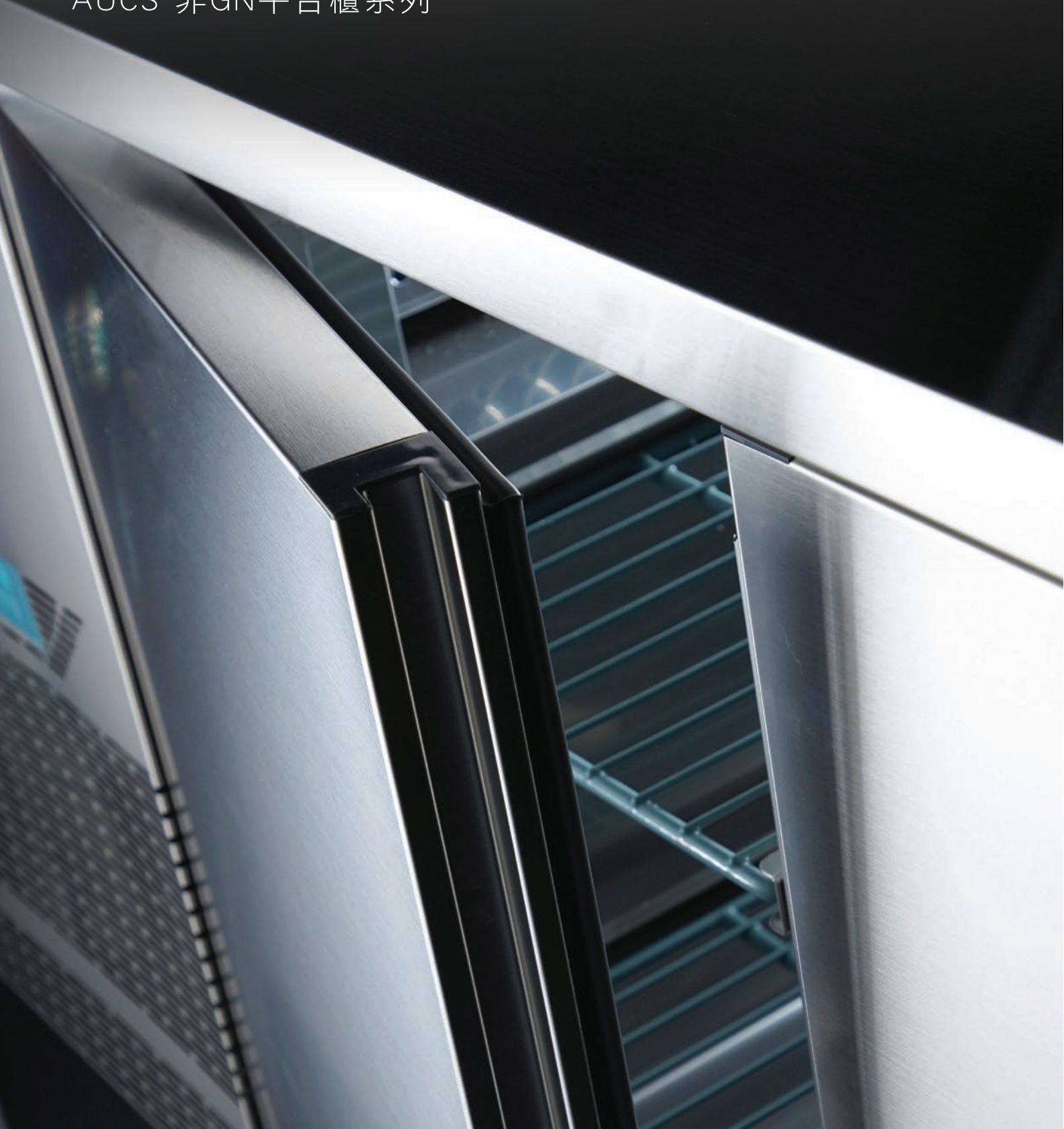




NON-GN AEGLOS UNDER COUNTER SERIES (AUCS)

AUCS 非GN平台櫃系列



NON-GN COUNTER REFRIGERATOR : : : : :
非GN平台雪櫃



NON-GN SALAD COUNTER REFRIGERATOR : : : : :
非GN沙拉平台櫃

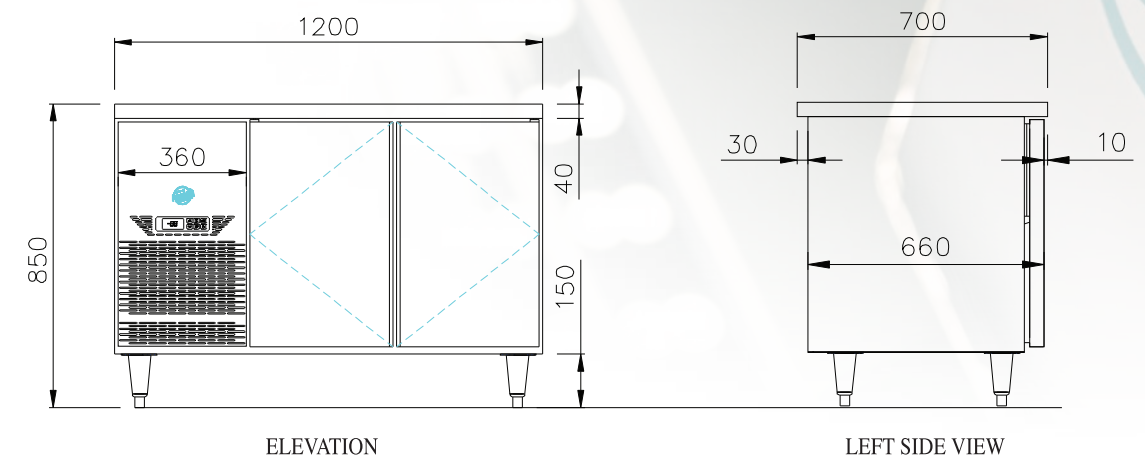


Non-GN Counter Refrigerator

非GN 平台雪櫃系列

伊洛斯平台雪櫃結合儲存空間與工作平台，優化工序效率。能因應不同的營運需要，從配燈、台面設計到抽櫃裝置都可進行度身訂造的改裝設計。

Aeglos' refrigerated counters combine storage space and work-station for effective preparation. We provide optional conversion features from lighting, table design to drawer installations for your wide range of day-to-day operations.



Product Features 產品優點

- 抽拉式機組設計，便於清潔及維修
- 不銹鋼外殼及內膽
- 鍍鋅底及背
- 採用150mm高的可調子彈腳
- 自動化水設計
- 數字溫控
- 220v/50Hz
- Removable cassette type condensing unit and evaporator for easy cleaning and repairs
- Stainless steel exterior and interior
- Galvanized steel back and base
- 150mmH Adjustable legs
- Self evaporating condensation water, drainage not required.
- Digital Controller
- 220v/50Hz

Alternative 備選

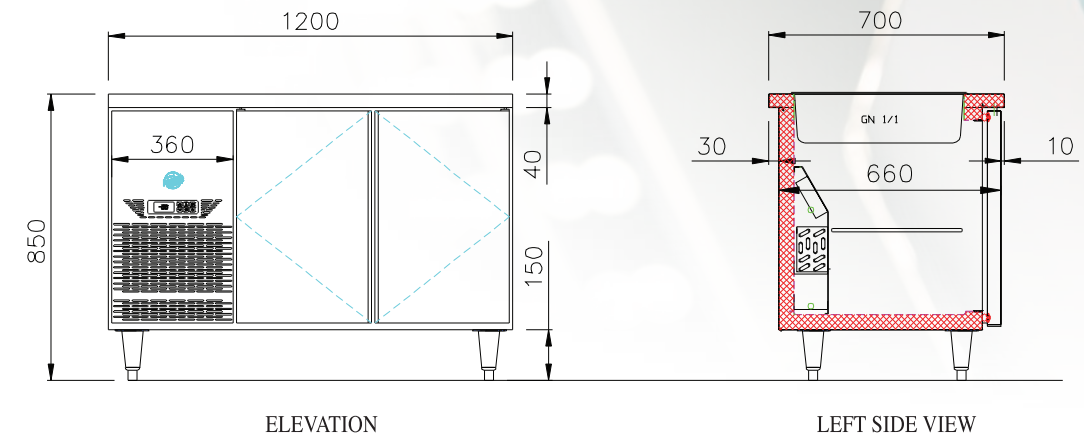
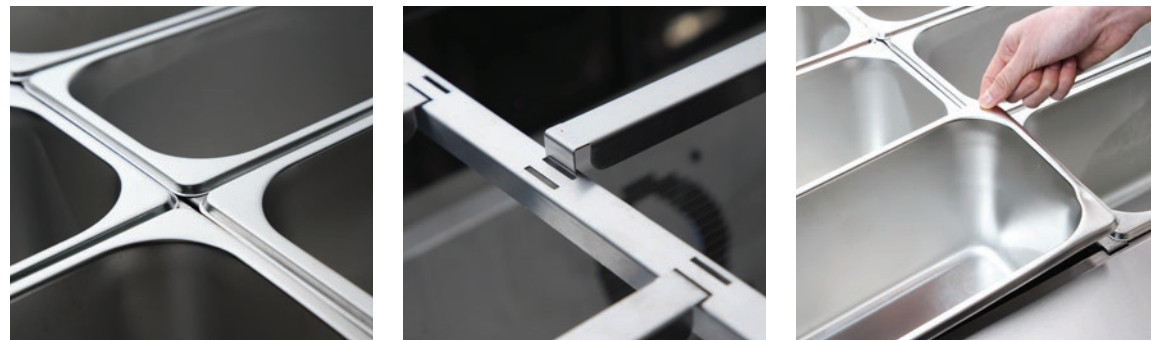
- 配LED燈
- 輪子
- 發熱玻璃門
- 雙通門
- 圓鎖
- 220V/60Hz
- LED light
- Castors
- Heated film glass door
- Double pass through door
- Proprietary cam lock
- 220V/60Hz

Non-GN Salad Counter Refrigerator

非GN 沙拉雪櫃系列

伊洛斯沙拉雪櫃結合儲存空間，與提供快速配製配料的工作平台以製作沙拉或三文治。而台面能因應客戶需要所放置的GN盆做度身訂造的改裝設計。

Aeglos' salad counter facilitates refrigerated storage and quick dispensing of toppings and ingredients for faster preparation of salad/sandwiches. Meanwhile, counter can be customized in order to suit different sizes of GN pans.



Product Features 產品優點

- 抽拉式機組設計，便於清潔及維修
- 不銹鋼外殼及內膽
- 鍍鋅底及背
- 採用150mm高的可調子彈腳
- 數字溫控
- 自動化水設計
- 220v/50Hz
- Removable cassette type condensing unit and evaporator for easy cleaning and repairs
- Stainless steel exterior and interior
- Galvanized steel back and base
- 150mmH Adjustable legs
- Digital Controller
- Self evaporating condensation water, drainage not required.
- 220v/50Hz

Alternative 備選

- 配LED燈
- 輪子
- 發熱玻璃門
- 雙通門
- 圓鎖
- 220V/60Hz
- LED light
- Castors
- Heated film glass door
- Double pass through door
- Proprietary cam lock
- 220V/60Hz

Aeglos Non-GN Under Counter Series (AUCS)

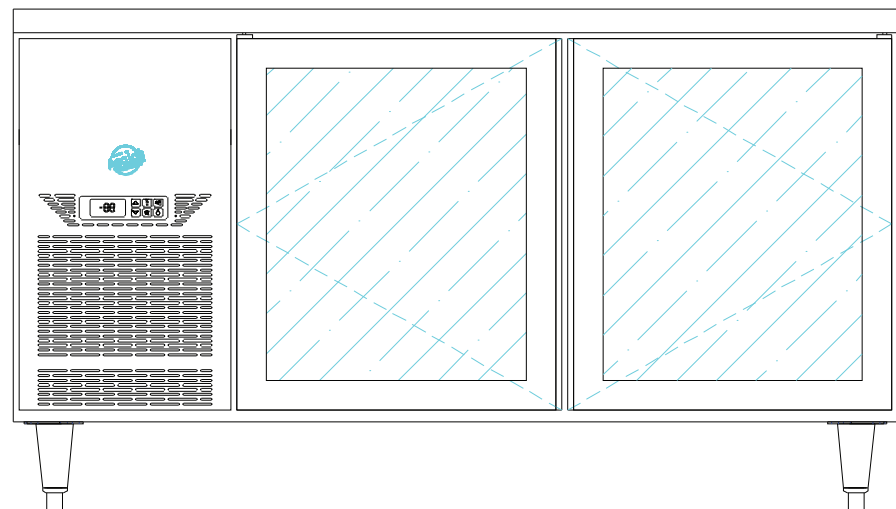
非GN平台櫃系列

產品編碼

Product Code

1500-XDD-HGD-7C4

1 2 3 4.1 4.2 4.3



1.1 Body Length 櫃身尺寸

2. Configuration 外形

X = Location of the condensing unit/evaporator 機組位置

D = Door 門

3. Options 選項

PT = Pass through 雙通門

HGD = Heated film glass door 發熱玻璃門

GD = Glass door 玻璃門

SO = Saladette opening 台面開口沙拉槽

4.1 Body Depth 櫃身深度

6 = 600mm D

7 = 700mm D

76 = 760mm D

4.2 Temperature Range 溫度

C = +1°C/+4°C

F = -22°C/-18°C

4.3 Material 材質

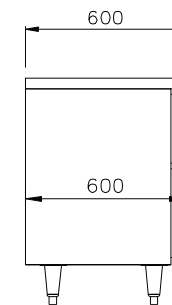
2 = 201 SS

3 = 304 SS

4 = 430 SS



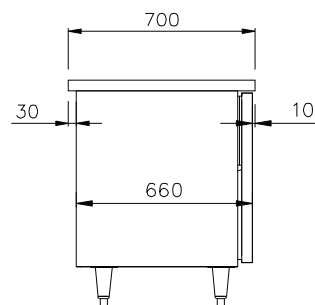
Non-GN Aeglos Under Counter Series (AUCS)



NON-GN COUNTER REFRIGERATOR-600mm D 非GN平台雪櫃-600深

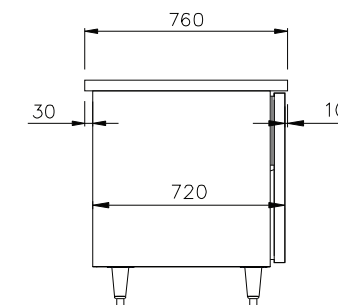
Model NO.	870-XD-6C4	870-XD-6F4	1200-XDD-6C4	1200-XDD-6F4	1500-XDD-6C4	1500-XDD-6F4	1800-XDDD-6C4	1800-XDDD-6F4	1800-XDD-6C4	1800-XDD-6F4
Temp Range (°C) 溫度 (°C)	+1~+4	-22~-18	+1~+4	-22~-18	+1~+4	-22~-18	+1~+4	-22~-18	+1~+4	-22~-18
External Dimension (mm) 外尺寸 (毫米)										
Width 寬度	870	870	1200	1200	1500	1500	1800	1800	1800	1800
Depth 深度	600	600	600	600	600	600	600	600	600	600
Height 高度	850	850	850	850	850	850	850	850	850	850
Internal Dimension (mm) 內尺寸 (毫米)										
Width 寬度	392	392	727	727	1027	1027	1327	1327	1327	1327
Depth 深度	498	498	498	498	498	498	498	498	498	498
Height 高度	567	567	567	567	567	567	567	567	567	567
Thickness of stainless steel (mm) 不銹鋼厚度 (毫米)										
Exterior (外部材料)	0.5	0.5	0.5	0.5	0.5	0.5	0.5	0.5	0.5	0.5
Interior (內部材料)	0.5	0.5	0.5	0.5	0.5	0.5	0.5	0.5	0.5	0.5
Door or drawer (門或抽屜)	0.5	0.5	0.5	0.5	0.5	0.5	0.5	0.5	0.5	0.5
Opening Depth (mm) 打開總深度 (毫米)										
Door type (門)	1035	1035	970	970	1120	1120	1035	1035	1275	1275
Drawer type (抽屜)	1160	1160	1160	1160	1160	1160	1160	1160	1160	1160
Maximum loading height of drawer (mm) 抽屜最高內高度 (毫米)										
2 drawers bank	205	205	205	205	205	205	205	205	205	205
3 drawers bank	105	105	105	105	105	105	105	105	105	105
Capacity (litres) 容積 (公升)	110	110	205	205	290	290	375	375	375	375
Power Supply 電壓 220V/50HZ/1PH										
Power Input- Running (amps) 運行時需輸入的電 (安培)	3	3	3	4	3.5	4.5	3.6	4.5	3.6	4.5
Rating Power (watts) 功率 (瓦特)	450	680	450	680	500	760	500	760	500	760
Condensing Unit (HP) 機組 (匹)	1/4	1/3	1/4	1/3	1/4	1/2	1/3	1/2	1/3	1/2
Refrigerant 制冷劑	R134a	R404a	R134a	R404a	R134a	R404a	R134a	R404a	R134a	R404a
Standard fittings for door type 標準配件										
PE coated shelves (pc) 浸塑層網 (件)	1	1	2	2	2	2	3	3	2	2
Shelf supporters 碼仔 (隻)	4	4	8	8	8	8	12	12	8	8

Non-GN Aeglos Under Counter Series (AUCS)



NON-GN COUNTER REFRIGERATOR-700mm D 非GN平台雪櫃-700深

Model NO.	870-XD-7C4	870-XD-7F4	1200-XDD-7C4	1200-XDD-7F4	1500-XDD-7C4	1500-XDD-7F4	1800-XDDD-7C4	1800-XDDD-7F4	1800-XDD-7C4	1800-XDD-7F4
Temp Range (°C) 溫度 (°C)	+1~+4	-22~-18	+1~+4	-22~-18	+1~+4	-22~-18	+1~+4	-22~-18	+1~+4	-22~-18
External Dimension (mm) 外尺寸 (毫米)										
Width 寬度	870	870	1200	1200	1500	1500	1800	1800	1800	1800
Depth 深度	700	700	700	700	700	700	700	700	700	700
Height 高度	850	850	850	850	850	850	850	850	850	850
Internal Dimension (mm) 內尺寸 (毫米)										
Width 寬度	392	392	727	727	1027	1027	1327	1327	1327	1327
Depth 深度	558	558	558	558	558	558	558	558	558	558
Height 高度	567	567	567	567	567	567	567	567	567	567
Thickness of stainless steel (mm) 不銹鋼厚度 (毫米)										
Exterior (外部材料)	0.5	0.5	0.5	0.5	0.5	0.5	0.5	0.5	0.5	0.5
Interior (內部材料)	0.5	0.5	0.5	0.5	0.5	0.5	0.5	0.5	0.5	0.5
Door or drawer (門或抽屜)	0.5	0.5	0.5	0.5	0.5	0.5	0.5	0.5	0.5	0.5
Opening Depth (mm) 打開總深度 (毫米)										
Door type (門)	1125	1125	1060	1060	1210	1210	1125	1125	1365	1365
Drawer type (抽屜)	1250	1250	1250	1250	1250	1250	1250	1250	1250	1250
Maximum loading height of drawer (mm) 抽屜最高內高度 (毫米)										
2 drawers bank	205	205	205	205	205	205	205	205	205	205
3 drawers bank	105	105	105	105	105	105	105	105	105	105
Capacity (litres) 容積 (公升)	124	124	230	230	325	325	420	420	420	420
Power Supply 電壓 220V/50HZ/1PH										
Power Input- Running (amps) 運行時需輸入的電 (安培)	3	3.2	3	4	3.6	4.5	3.6	4.5	3.6	4.5
Rating Power (watts) 功率 (瓦特)	450	680	450	680	500	760	500	760	500	760
Condensing Unit (HP) 機組 (匹)	1/5	1/3	1/4	1/3	1/4	1/2	1/3	1/2	1/3	1/2
Refrigerant 制冷劑	R134a	R404a	R134a	R404a	R134a	R404a	R134a	R404a	R134a	R404a
Standard fittings for door type 標準配件										
PE coated shelves(pc) 浸塑層網(件)	1	1	2	2	2	2	3	3	2	2
Shelf supporters 碼仔(隻)	4	4	8	8	8	8	12	12	8	8

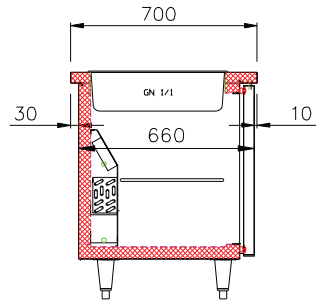


NON-GN COUNTER REFRIGERATOR-760mm D 非GN平台雪櫃-760深

Model No.	870-XD-76C4	870-XD-76F4	1200-XDD-76C4	1200-XDD-76F4	1500-XDD-76C4	1500-XDD-76F4	1800-XDDD-76C4	1800-XDDD-76F4	1800-XDD-76C4	1800-XDD-76F4
Temp Range (°C) 溫度 (°C)	+1~+4	-22~-18	+1~+4	-22~-18	+1~+4	-22~-18	+1~+4	-22~-18	+1~+4	-22~-18
External Dimension (mm) 外尺寸 (毫米)										
Width 寬度	870	870	1200	1200	1500	1500	1800	1800	1800	1800
Depth 深度	760	760	760	760	760	760	760	760	700	700
Height 高度	850	850	850	850	850	850	850	850	850	850
Internal Dimension (mm) 內尺寸 (毫米)										
Width 寬度	392	392	727	727	1027	1027	1327	1327	1327	1327
Depth 深度	618	618	618	618	618	618	618	618	618	618
Height 高度	567	567	567	567	567	567	567	567	567	567
Thickness of stainless steel (mm) 不銹鋼厚度 (毫米)										
Exterior (外部材料)	0.5	0.5	0.5	0.5	0.5	0.5	0.5	0.5	0.5	0.5
Interior (內部材料)	0.5	0.5	0.5	0.5	0.5	0.5	0.5	0.5	0.5	0.5
Door or drawer (門或抽屜)	0.5	0.5	0.5	0.5	0.5	0.5	0.5	0.5	0.5	0.5
Opening Depth (mm) 打開總深度 (毫米)										
Door type (門)	1185	1185	1120	1120	1270	1270	1185	1185	1425	1425
Drawer type (抽屜)	1310	1310	1310	1310	1310	1310	1310	1310	1310	1310
Maximum loading height of drawer (mm) 抽屜最高內高度 (毫米)										
2 drawers bank	205	205	205	205	205	205	205	205	205	205
3 drawers bank	105	105	105	105	105	105	105	105	105	105
Capacity (litres) 容積 (公升)	137	137	255	255	360	360	465	465	465	465
Power Supply 電壓 220V/50HZ/1PH										
Power Input- Running (amps) 運行時需輸入的電 (安培)	3	3.5	3	4	3	4	3	4.5	3	4.5
Rating Power (watts) 功率 (瓦特)	450	680	450	680	500	760	500	760	500	760
Condensing Unit (HP) 機組 (匹)	1/4	1/3	1/4	1/3	1/4	1/2	1/3	1/2	1/3	1/2
Refrigerant 制冷劑	R134a	R404a	R134a	R404a	R134a	R404a	R134a	R404a	R134a	R404a
Standard fittings for door type 標準配件										
PE coated shelves(pc) 浸塑層網(件)	1	1	2	2	2	2	3	3	2	2
Shelf supporters 碼仔(隻)	4	4	8	8	8	8	12	12	8	8



Non-GN Aeglos Under Counter Series (AUCS)



NON-GN SALAD COUNTER REFRIGERATOR 非GN沙拉平台雪櫃

Model No.	1200-XDD-S0-7C4	1500-XDD-S0-7C4	1800-XDDD-S0-7C4
Temp Range (°C) 溫度 (°C)	+1~+4	+1~+4	+1~+4
External Dimension (mm) 外尺寸 (毫米)			
Width 寬度	1200	1500	1800
Depth 深度	700	700	700
Height 高度	850	850	850
Internal Dimension (mm) 內尺寸 (毫米)			
Width 寬度	740	1040	1340
Depth 深度	453	453	453
Height 高度	572	572	572
Thickness of stainless steel (mm) 不銹鋼厚度 (毫米)			
Exterior (外部材料)	0.5	0.5	0.5
Interior (內部材料)	0.5	0.5	0.5
Door (門)	0.5	0.5	0.5
Opening Depth (mm) 打開總深度 (毫米)			
Door type (門)	1125	1215	1065
Capacity (litres) 容積 (公升)	192	270	347
Suit for 60mm depth 1/1 GN Pan 可放置60毫米深的1/1 GN 盆數量	3	4	5
Power Supply 電壓 220V/50HZ/1PH			
Power Input- Running (amps) 運行時需輸入的電 (安培)	2.4	2.4	3.6
Rating Power (watts) 功率 (瓦特)	450	450	560
Condensing Unit (HP) 機組 (匹)	1/3	1/3	1/2
Refrigerant 制冷劑	R134a	R134a	R134a
Standard fittings for door type 標準配件			
PE coated shelves(pc) 浸塑層網(件)	2	2	3
Shelf supporters 碼仔(隻)	8	8	12

